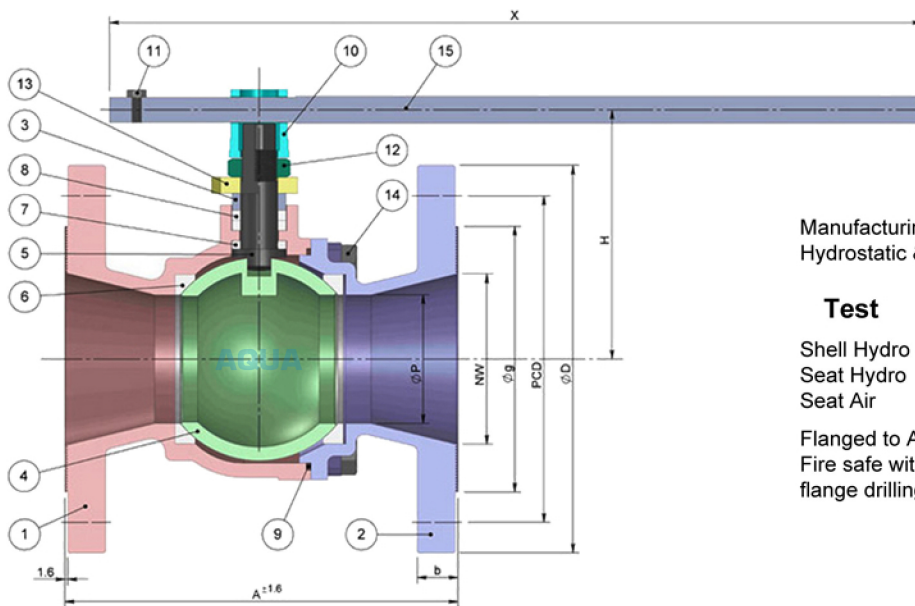


**Flanged End, 2 Piece, Reduced Port,  
Class 150, Size 65-200**

**SERIES 74 - R2**



SIZE	DIMENSIONAL DATA IN MM										NO. OF HOLES	QTY	TAG NO.
	A	ØP	NW	H	L	ØD	b	Øg	PCD	Hole Ø			
<b>65</b>	190	51	63	192	480	178	17.5	107	139.7	19	4		
<b>80</b>	203	58	76	135	325	190	19	125	152.4	19	4		
<b>100</b>	232	76	102	200	480	237	24	125	190	19	8		
<b>150</b>	265	102	150	234	570	280	25.5	216	241.3	22	8		
<b>200</b>	292	152	203	275	715	343	28.6	270	298.4	22	8		



Manufacturing Standard : BS 5351  
Hydrostatic & Pneumatic : BS 5146

**Test For Class 150**

Shell Hydro 31 kg/cm<sup>2</sup>g  
Seat Hydro 19.5 kg/cm<sup>2</sup>g  
Seat Air 7 Kg/cm<sup>2</sup>g

Flanged to ANSI -B 16.5 RF - Standard  
Fire safe with antistatic device and other flange drilling on request

NO.	PART NAME	MATERIAL							
		A	B	C	D	H	a	J	
1	Body	A	B	C	D	H	a	J	
2	Side Piece	A	B	C	D	H	a	J	
3	Gland	G	E	F	D	U	b	J	
4	Ball	P	B	C	D	H	a	J	
5	Stem	G	E	F	D	U	b	J	
6	Ball Seat	PTFE		GFT		GRAFOIL			
7	Stem Seal	PTFE		GFT		GRAFOIL			
8	Gland Packings	PTFE		GFT		GRAFOIL			
9	Body Seal	PTFE		GFT		GRAFOIL			
10	Adapter	STEEL							
11	Bolt	L				R			
12	Check Nut	STEEL							
13	Stopper	STEEL							
14	Body Stud / Nut	E	L	M	N	R	S	T	
15	Pipe Wrench	C CLASS (PIPE)							

- A** = ASTM A-216 Gr.WCB
- B** = ASTM A-351 Gr.CF8
- C** = ASTM A-351 Gr.CF8M
- D** = ASTM A-351 Gr.CN7M
- E** = AISI - 304
- F** = AISI - 316
- G** = AISI - 410
- H** = ASTM A-351 Gr.CF3
- J** = ASTM A-494 CW 12 M1
- L** = ASTM A-193 Gr.B7 / Gr.10.9
- M** = ASTM A-193 Gr. B8
- N** = ASTM A-193 Gr. B8M
- P** = ASTM A-217 Gr. CA1
- a** = ASTM A-351 Gr.CF3M
- b** = AISI - 316L
- R** = ASTM A-194 Gr.2H
- S** = ASTM A-194 Gr.8
- T** = ASTM A-194 Gr.8M
- U** = AISI - 304L
- PTFE** = POLY TETRA FLUORO ETHYLENE
- GFT** = GLASS FILLED TEFLON

CUSTOMER :  
ORDER NO :  
JOB/PROJECT :

Development is continuous and specifications are subject to alterations at any time without notice

Drg. No : ACVPL/74-R2/65-250 / 2 PC

OUR Ref :

**Aqua Control Valves Pvt. Ltd.,**  
D/72, C/67, Industrial Estate,  
Udyambag, BELGAUM - 590 008  
Karnataka State,  
INDIA